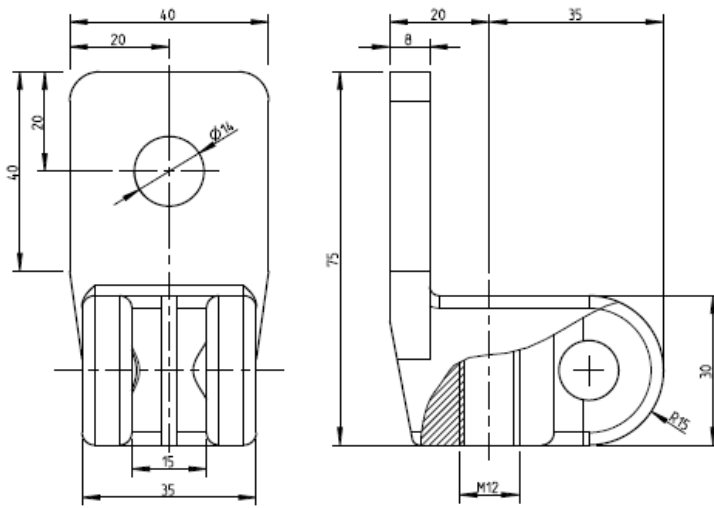
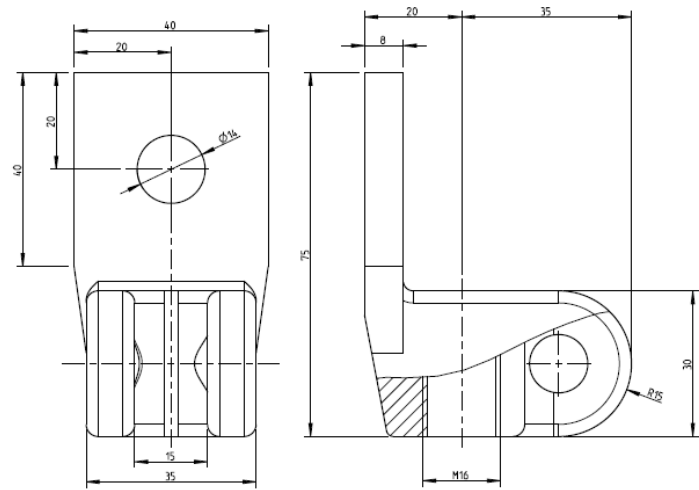


Standard Connecting Flags according to DIN 43 675

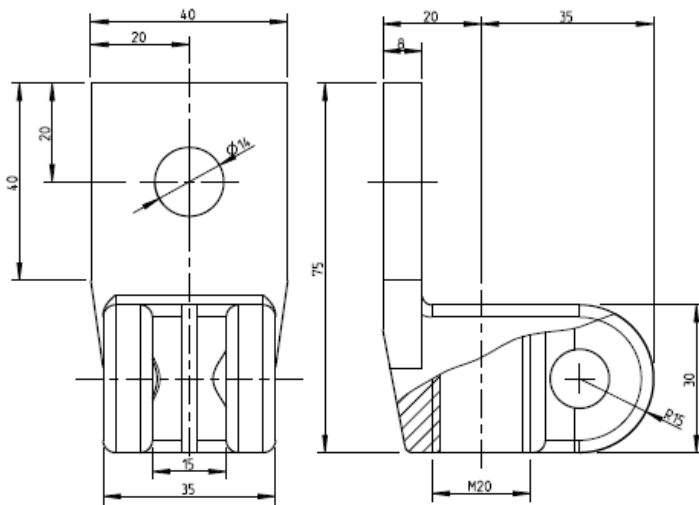




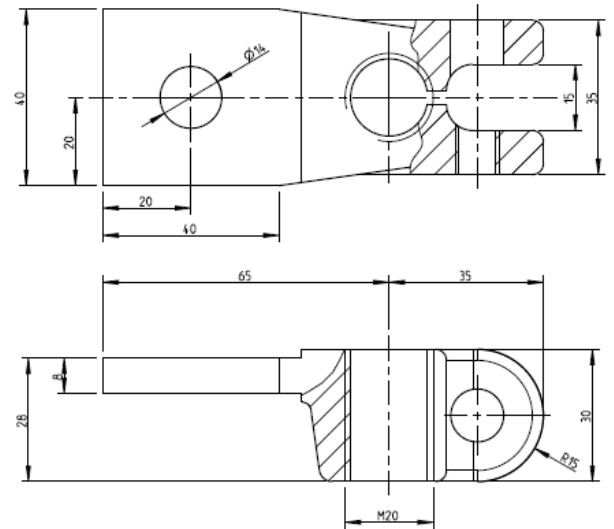
DP 250 A		Article number	
Type	Weight (kg)	W/O ASSY KIT	With ASSY KIT
DP 250 A	0.433	23271	26487



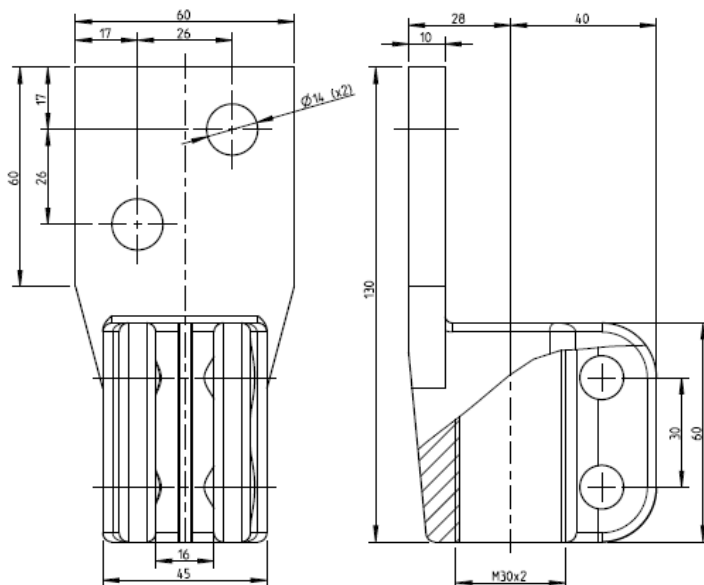
DP 400 A		Article number	
Type	Weight (kg)	W/O ASSY KIT	With ASSY KIT
DP 400 A	0.416	23135	23125



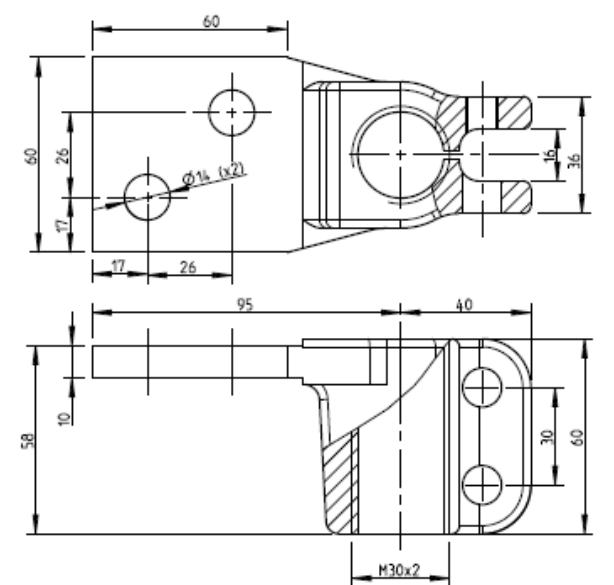
DP 630 A		Article number	
Type	Weight (kg)	W/O ASSY KIT	With ASSY KIT
DP 630 A	0.401	23054	27292



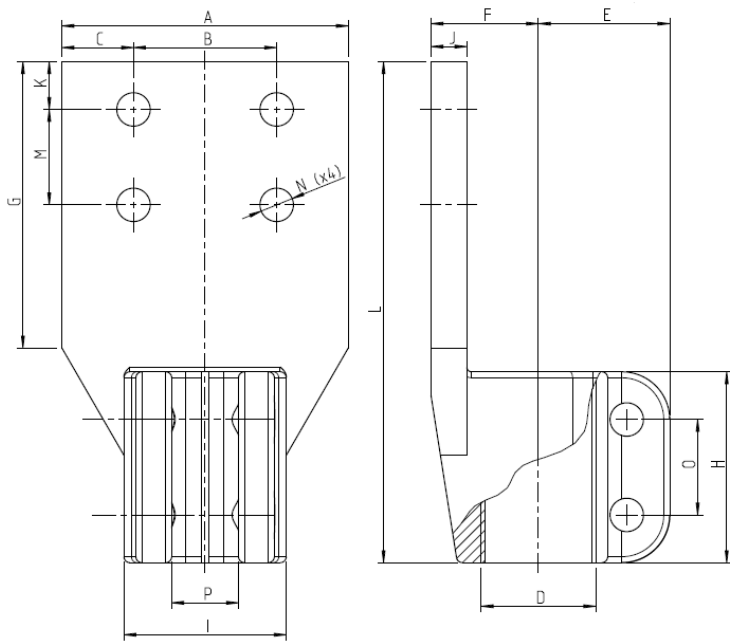
DR 630 A		Article number	
Type	Weight (kg)	W/O ASSY KIT	With ASSY KIT
DR 630 A	0.378	11475	43656



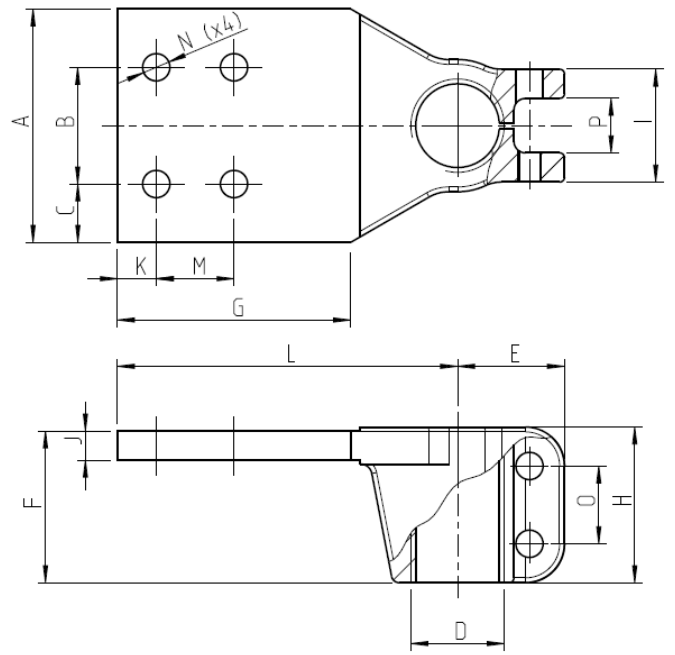
EP 1250 A		Article Number	
Type	Weight (kg)	W/O ASSY KIT	With ASSY KIT
EP 1250 A	1.161	10757	11341



ER 1250 A		Article number	
Type	Weight (kg)	W/O ASSY KIT	With ASSY KIT
ER 1250 A	1.142	10758	27496



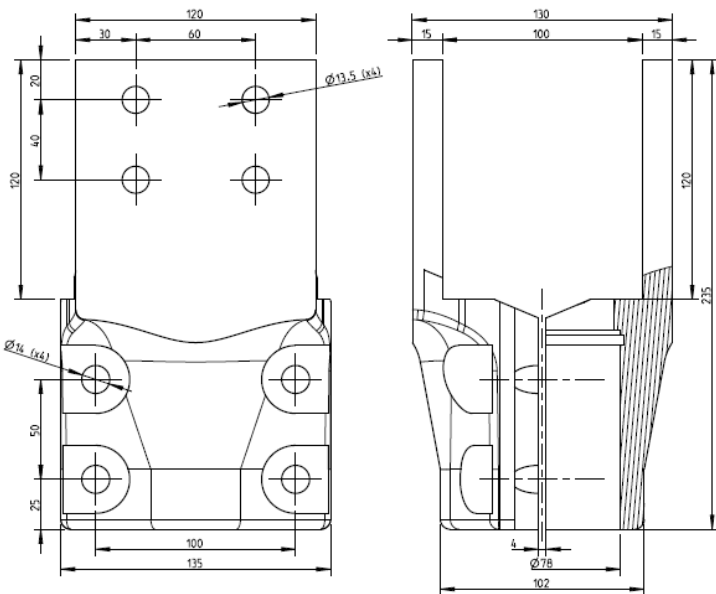
FP 2000 A - FP 5000 A



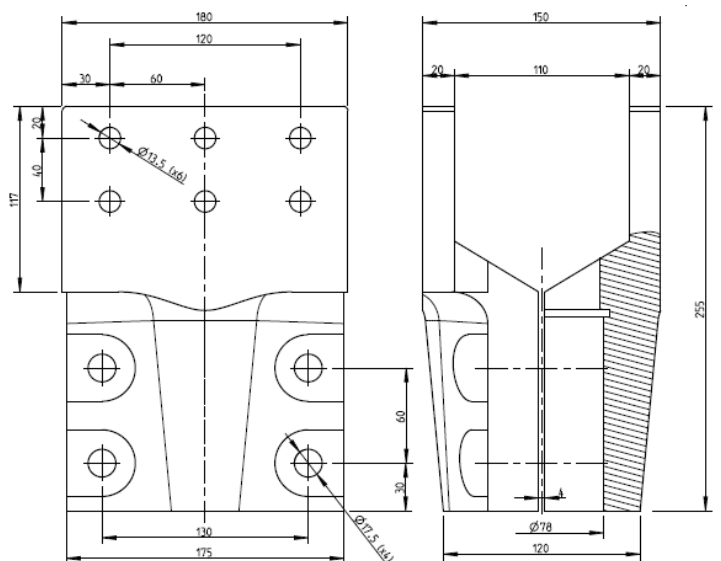
FR 2000 A - FR 3150 A

Type	D	A mm	B mm	C mm	E mm	F mm	G mm	H mm	I mm	J mm	K mm	L mm	M mm	N mm	O mm	P mm	Weight (kg)	W/O ASSY KIT	With ASSY KIT	
FP 2000 A	M42x3	φ42H9	100	50	25	55	40	100	80	φ58	15	20	190	40	φ14	40	20	3.194	10762	29761
FP 3150 A	M48x3	φ48H9	120	60	30	55	45	120	80	φ68	15	20	210	40	φ14	40	28	4.405	10767	19715
FP 4500 A	M55x3	φ55H9	150	70	40	60	55	150	90	φ80	20	40	244	70	φ18	40	24	7.442	22922	25093
FP 5000 A	M64x3	φ64H9	180	100	40	65	60	180	95	φ80	20	40	274	70	φ18	40	24	9.425	24005	32256

Type	D	A mm	B mm	C mm	E mm	F mm	G mm	H mm	I mm	J mm	K mm	L mm	M mm	N mm	O mm	P mm	Weight (kg)	W/O ASSY KIT	With ASSY KIT	
FR 2000 A	M42x3	φ42H9	100	50	25	55	78	100	80	45	15	20	155	40	φ14	40	20	3.425	10764	23504
FR 3150 A	M48x3	φ48H9	120	60	30	55	78	120	80	58	15	20	175	40	φ14	40	28	4.455	10769	41458



TP78-120		Article number	
Type	Weight (kg)	W/O ASSY KIT	With ASSY KIT
6300 A TP78-120	9.659	11442	-



TP78-180		Article number	
Type	Weight (kg)	W/O ASSY KIT	With ASSY KIT
8000 A TP78-180	24.989	32085	32086



For more technical information
contact us now!

sales.electrical-components@preisgroup.com



This document does not claim to be exhaustive. Errors and omissions excepted. Edition 03-2026



PREIS GmbH
 Headquarter

Josef Nitsch-Straße 5
 2763 Pernitz, AT
 +43 (0) 2632 733 55 0
office.austria@preisgroup.com
preisgroup.com



Ferro-PREIS d.o.o.
 Iron Foundry – Grey and Ductile Iron

Ul. dr. Tome Bratkovića 2
 40000 Čakovec, HR
 +385 (0) 40 384 206
office.croatia@preisgroup.com
preisgroup.com



PREIS SEVNICA d.o.o.
 Steel Construction and Welded Constructions

Savska cesta 23
 8290 Sevnica, SI
 +386 (0) 781 61 852
office.slovenia@preisgroup.com
preisgroup.com



PREIS USORA d.o.o.
 Steel Construction and Welded Constructions

Žabljak polje 52
 74230 Usora, BA
 +387 (0) 32 891 022
office.bosnia@preisgroup.com
preisgroup.com



GIPRO GmbH
 Production of Epoxy Insulators

Wilhelm-Jentsch-Straße 2
 8120 Peggau, AT
 +43 (0) 3127 20940
info@gipro.com
www.gipro.com